



# School Lockdown System



- Battery powered
- Rapidly deployable and reusable
- Wireless with up to 64 units on one site
- Long range transmission of 1km between units
- Visual beacon and audible sounder/enunciator
- Works on advanced wireless mesh protocol negating the need for repeaters
- IP Masthead receiver available for remote monitoring
- 3 year battery life with low battery alerts



2a Bellevue Road, Friern Barnet, London N11 3ER  
T. 020 8368 7887 F. 020 8368 3952  
info@luminite.co.uk

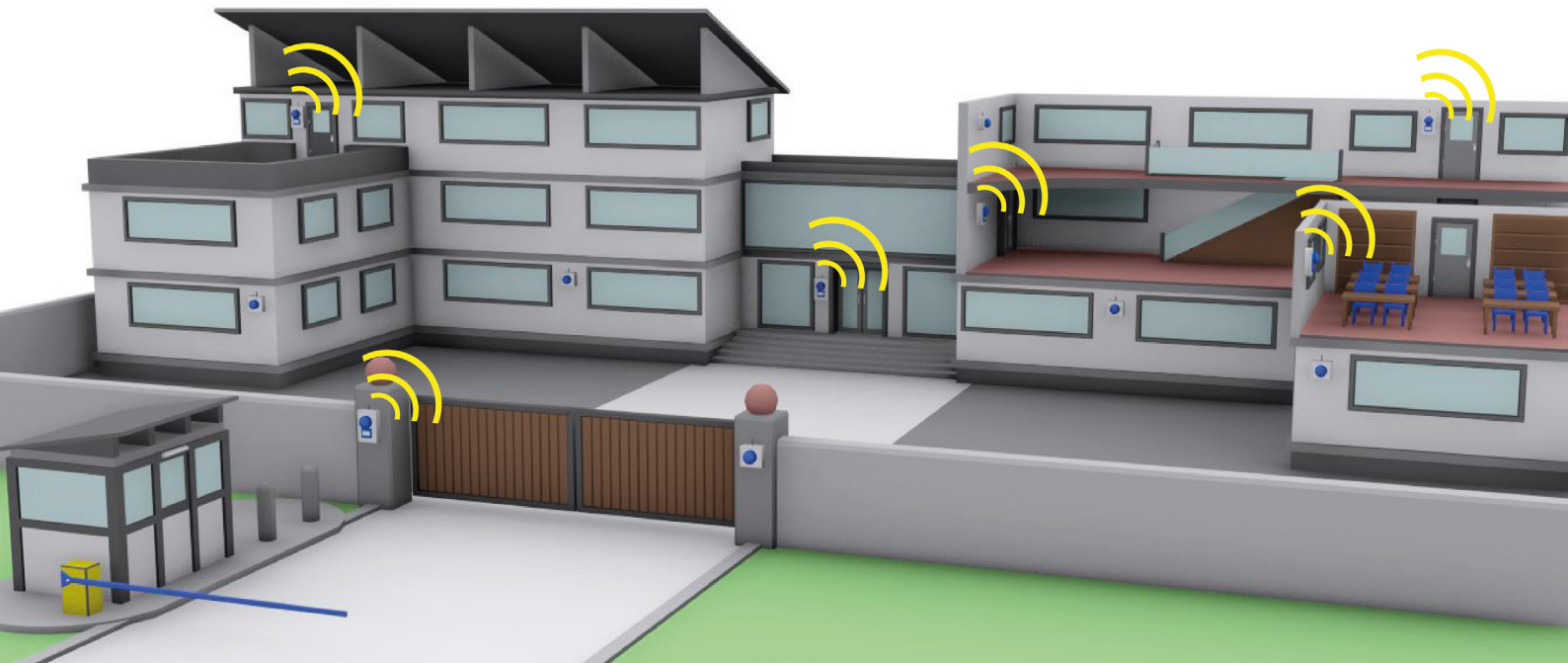
[www.luminite.co.uk](http://www.luminite.co.uk)

Designed and Manufactured in the UK



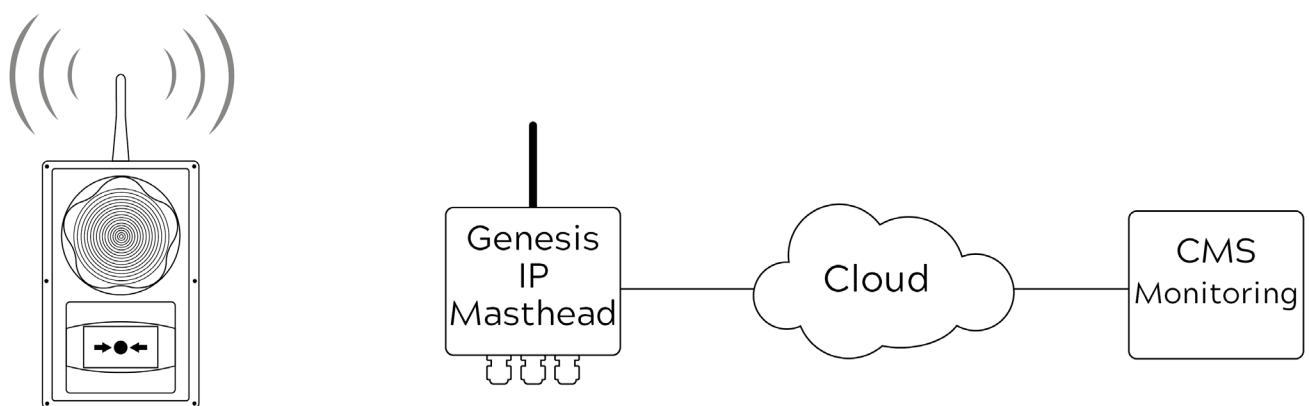
The new NEXUS Wireless Alert system from Luminite is aimed at schools and other places of learning as a lockdown system in the event of an incident requiring rapid restrictions to a site. It is quick and easy to install with no civil works or cabling required and is fully portable.

This is a battery powered system that will, when activated, give an audible and visual Lockdown alert that aims to minimise disruption to the learning environment whilst ensuring the safety of pupils and staff. Lockdown messages can be customised prior to ordering, otherwise, the standard message will be supplied.



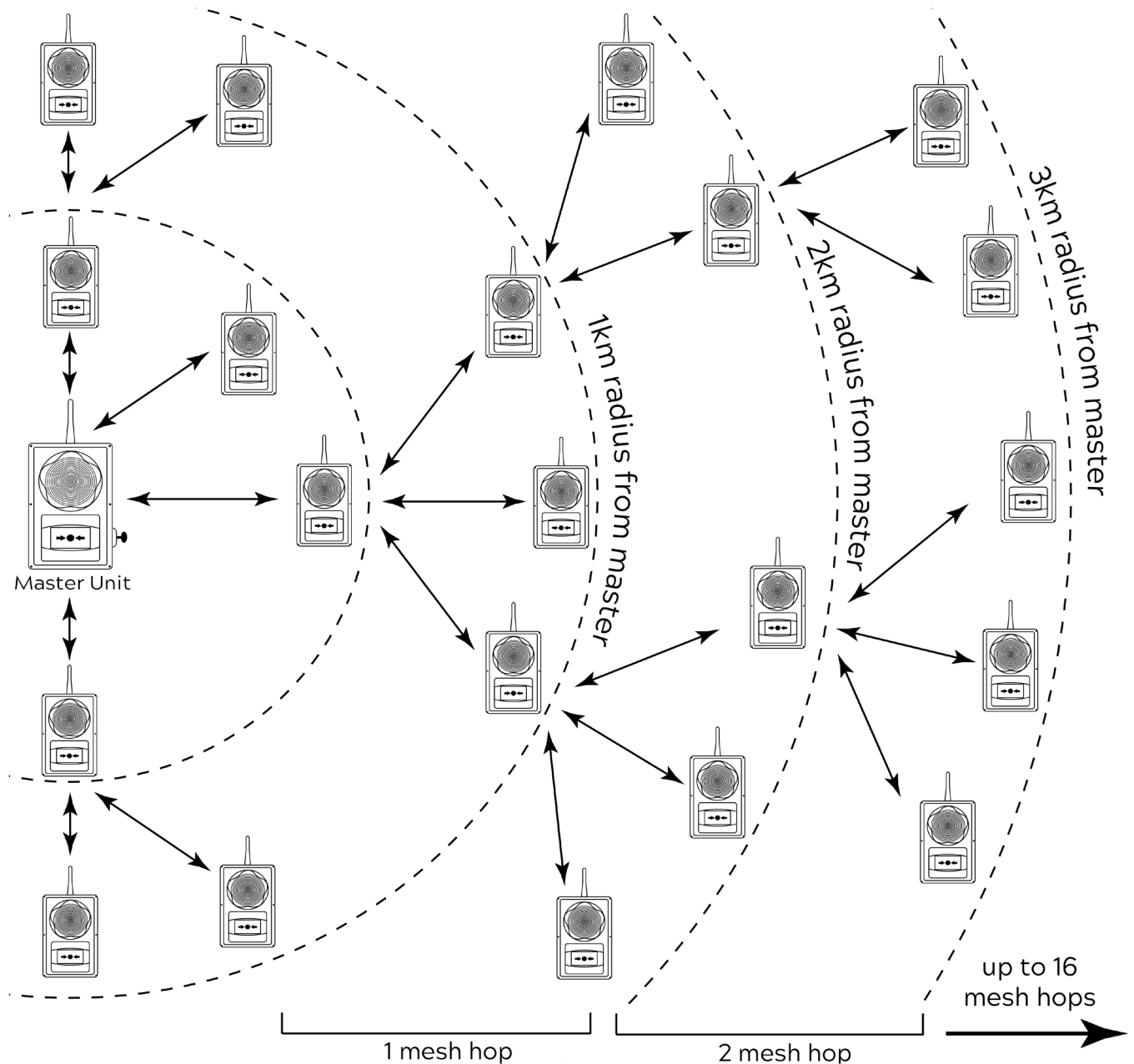
An IP Masthead can be added to the system so that up to 64 units can be monitored and controlled from one central location. This can be, for example, the site office computer or a Central Monitoring Station (CMS). Additionally, you can assign a name and location to each unit, ensuring a quick and efficient reaction to any alert event. You can also integrate with Immix and other popular CMS platforms.

### Using NEXUS with an IP Masthead



Silent test mode functionality is built in to minimise disruption and can be activated from any one of the NEXUS units using the key switch, or remotely when using an IP Masthead. A low battery alert is available when using the IP Masthead.

NEXUS uses a secure wireless mesh protocol to provide a long range, robust system, designed to alert occupants to a threat on or near their site requiring a lockdown procedure to be implemented. With a wireless range of 1km line of sight between units, and a maximum of 16 mesh hops, NEXUS has a potential range of 16km. There is a maximum of 64 units per site, and when one NEXUS unit is activated, it will trigger all units in range to sound an audible lockdown message, accompanied by a flashing beacon light.



In all instances of activation, both the sounders and flashing beacons will continue until reset, however, the initial triggered unit will continue to flash until the call point button is manually reset.

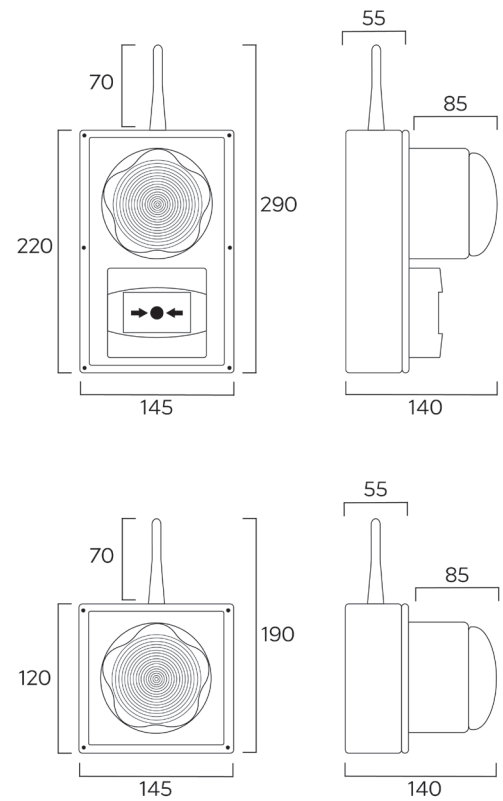
Intelligent power saving technology ensures a long battery life of up to three years, keeping service calls to a minimum and reducing the environmental impact. A low battery alert is available via the IP Masthead, as well as on each unit.

NEXUS is available in both internal and external options - external units are fully weatherproof to IP66 standard.

## Technical Specifications

Power Requirements	2 x 3.6v lithium D cells
Battery Life	Up to 3 years with low battery alert via masthead
Receiver Frequency	434.525 Mhz
Reception Range	up to 1 km line of sight per hop
Transmitter Power	10 MW
Aerial	Supplied with 50ohm helical
Site Codes	32
Unit Codes	64
Temperature Range	-10°C to +60°C
Weather Rating	IP66 for external units / IP54 for internal units
Housing	Enclosure & Sounder ABS, Call Point Polycarbonate
Decibel level for Sounder	Adjustable from 86 dBa to 117 dBa
Decibel level for Enunciator	Typically 100 dBa
Operating frequency of Sounder/Enunciator	440 – 2900 Hz

## Dimensions (mm)



## Part Codes

<b>NXICSB</b>	Internal Alert call point with sounder and beacon
<b>NXECSB</b>	External Alert call point with sounder and beacon
<b>NXICVB</b>	Internal Alert call point with enunciator and beacon
<b>NXECVB</b>	External Alert call point with enunciator and beacon
<b>NXISB</b>	Internal sounder and beacon
<b>NXESB</b>	External sounder and beacon
<b>NXIVB</b>	Internal enunciator and beacon
<b>NXEVB</b>	External enunciator and beacon

## Extensions

<b>-B</b>	Blue no Batteries
<b>-BB</b>	Blue with Batteries
<b>-BBM</b>	Blue Master with Batteries

## Instances where NEXUS Lockdown may be used:

- A reported incident in the vicinity
- An intruder on site
- Air pollution or any kind of airborne contaminant
- Dangerous person or animal on site



2a Bellevue Road, Friern Barnet, London N11 3ER  
 T. 020 8368 7887 F. 020 8368 3952  
 info@luminite.co.uk

www.luminite.co.uk

Designed and Manufactured in the UK

